

Cara Dining Table

Assembly Instructions - Please keep for future reference

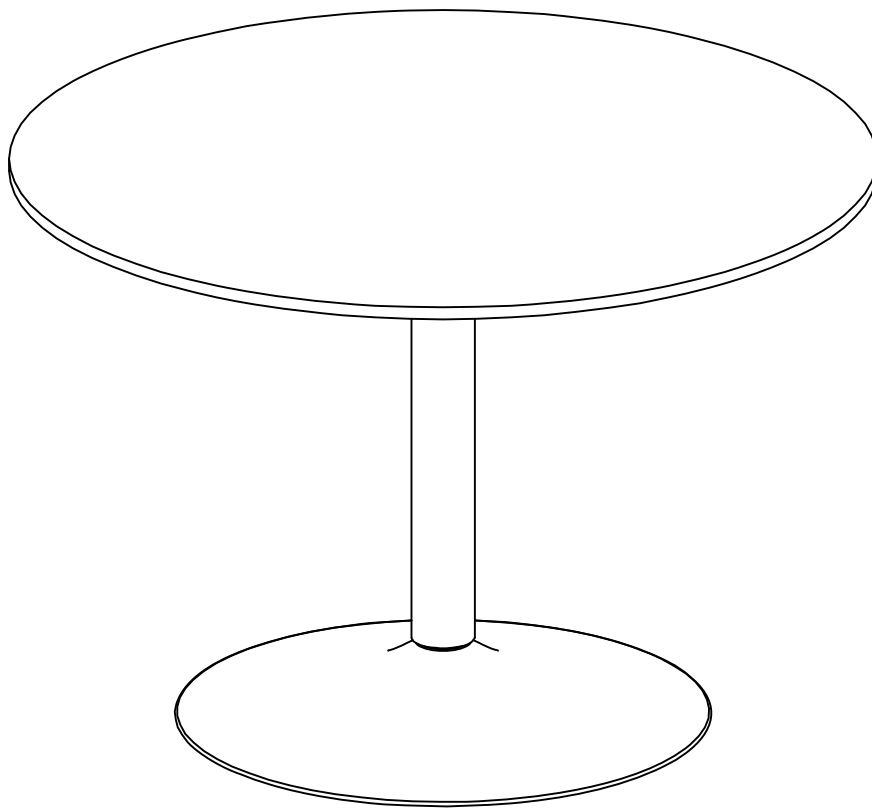
CARA-DT-SS20-A

Dimensions

Width - 110 cm

Depth - 110 cm

Height - 75 cm



060 - Rev 1

Important-Please read these instructions before assembly

If you help or have damaged or missing parts, call the
Customer Helpline: 0344 499 4686
or email: customerservices@habitat.co.uk

habitat 



Safety and Care Advice

Important - Please read these instructions fully before starting assembly

Check you have all the components and tools listed on the front cover and pages 4 - 5.

Remove all fittings from the plastic bags and separate them into their groups.

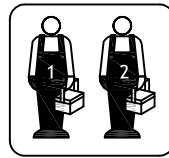
Keep children and animals away from the work area, small parts could choke if swallowed.

Make sure you have enough space to layout the parts before starting.

Do not stand or put weight on the product, this could cause damage.

Assemble the item as close to its final position (in the same room) as possible.

Do not place furniture directly in front of radiators, fires or any other source of heat.



Parts of the assembly will be easier with 2 people.

Assemble on a soft level surface to avoid damaging the unit or your floor.



We do not recommend the use of power drill/ drivers for inserting screws, as this could damage the unit. Only use hand screwdrivers.

Dispose of all packaging carefully and responsibly.

General care and maintenance

Take care when moving furniture - dragging it across the floor will loosen and damage the joints. Always lift and move.

From time to time check that there are no loose fittings. Tighten as necessary.

Avoid exposing your furniture to direct and prolonged periods of sunlight and heat sources as fading and cracking may occur.

Take care to prevent sharp objects e.g. toys, buckles and heels from coming into contact with your furniture, and avoid contact with chemicals e.g. cosmetics or hair products which may permanently mark the surface.

INTRODUCTION

This piece of furniture is made from one of nature's own beautiful products, formed over thousands of years. Therefore, no two stone pieces of furniture are quite alike. Nature itself formed these variations, and they represent stone in its beautiful and natural look.

MARBLE AND TRAVERTINE

Marble and travertine are two different types of stone, which both belong under the category limestone, which nature's chalk and minerals formed during an extensive process. The stones were extracted from a quarry, wherefrom the plates are cut from massive solid blocks. This means that the plates naturally vary in both colour, structure, and surface.

Generally Marble will show noticeable veins, which may vary in colour from the rest of the plate. All depending on the type of marble, some plates are polished and rather smooth, whereas others are naturally rough and varying in the surface. Very often, water veins, indentations, and the like will be noticeable when you touch the surface.

Travertine is from nature filled with pinholes. The factory have filled these pinholes with filler, and they are part of the characteristics of Travertine. It will vary from each plate how visible the pinholes are, but as such, they enhance the fact that Travertine is a natural material.



Safety and Care Advice

Important - Please read these instructions fully before starting assembly

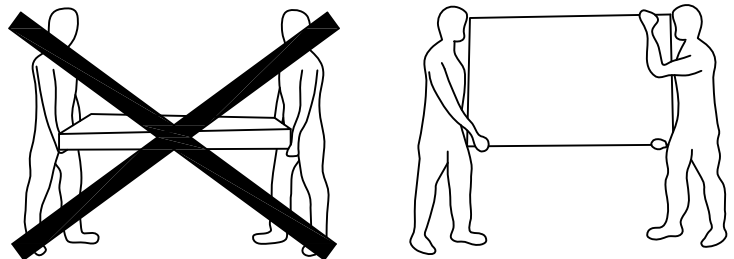
Cleaning and care

For daily cleaning of stone use a moist cloth. You should simply wipe the surfaces with a mild soap solution. As marble and travertine are both limestone you must avoid acidic cleaning agents, as this will damage the stone. You must also be careful with acidic fruits, chemicals etc. as this may also damage the stone. Furthermore, it is important that you use place mats and coasters, when moist/hot items are placed on the furniture.

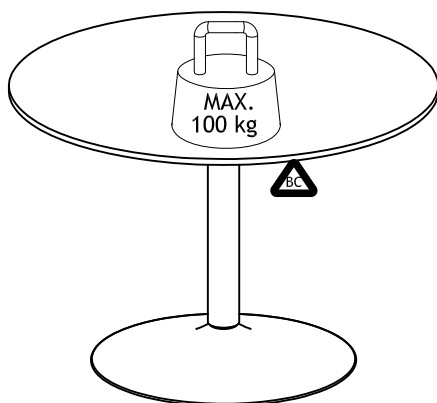
Water polished stone has undergone a lengthy polishing process where the surface is polished completely smooth with a waxing agent. Therefore, we do not recommend any treatment before using. Although water polished stone appears more natural it is less resistant as lacquered stone furniture. Therefore, it is even more important immediately to wipe away any spills. In time water polished furniture will appear matt which demands further maintenance. We recommend using cleaning agents suited for stone products, which you can typically buy from your local furniture retailer.

HANDLING OF STONE

Due to design and weight, you should always carry stone elements vertically in order to utilize the strength of the stone plate optimally. See illustration below.



Maximum recommended loading



General information

If for any reason you should have problems with your Habitat product, please contact the store from which you purchased it.

Please retain your receipt as proof of purchase.

If you have any comments or suggestions regarding this product, assembly instructions or service

received, please contact the store or Habitat Head Office via its web site: www.habitat.co.uk or write directly to: Habitat Retail Ltd. 489-499 Avebury Boulevard, Milton Keynes MK9 2NW

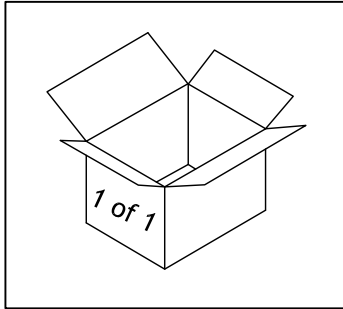
Components - Panels

If you have damaged or missing components, call the Customer Helpline: 0344 499 4686 or email: customerservices@habitat.co.uk

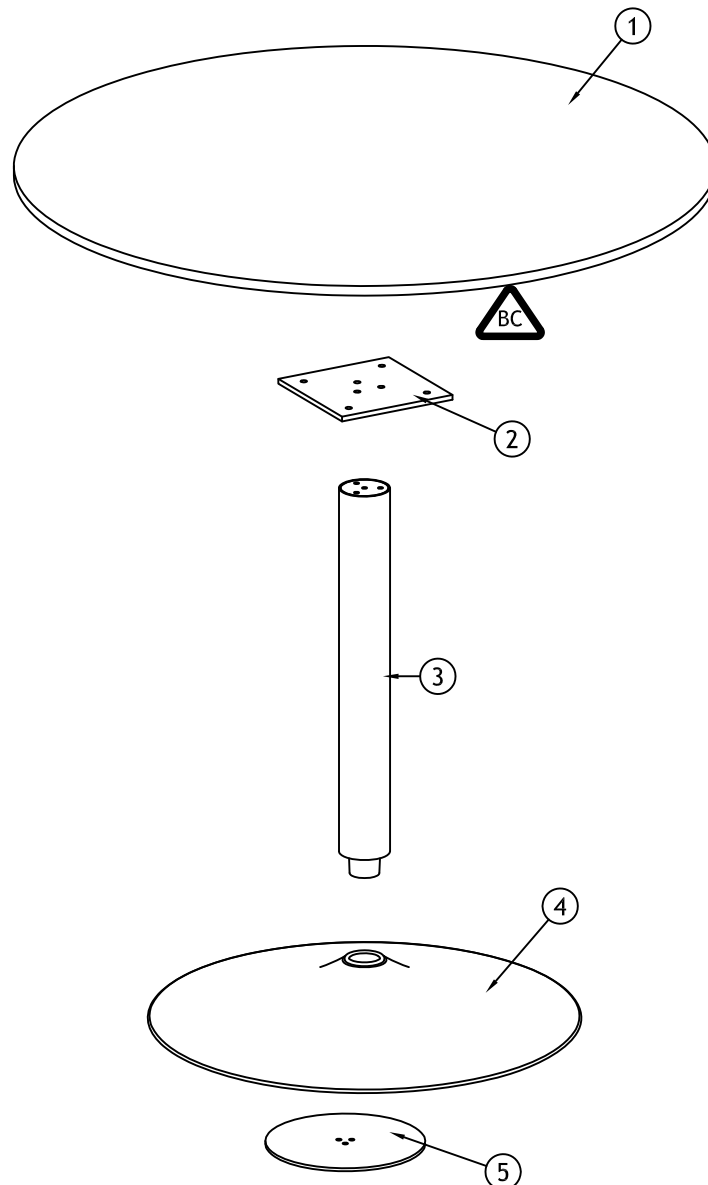
Please check you have all the panels listed below



Note: There are 'Batch Code' labels where shown on the indicated items, these should be retained.



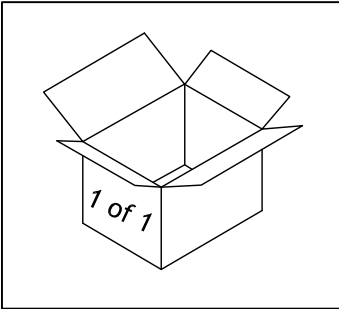
PART	QTY	SIZE	COLLI	✓
1	1	1100x1100x18	1/1	
2	1	200x200x7,5	1/1	
3	1	616xØ80	1/1	
4	1	Ø680x92	1/1	
5	1	Ø270x7,5	1/1	



Components - Fittings

If you have damaged or missing components, call the Customer Helpline: 0344 499 4686 or email: customerservices@habitat.co.uk

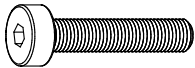
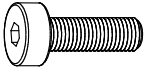

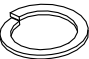
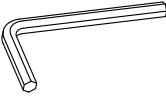
Please check you have all the fixings listed below



Note: The quantities below are the correct amount to complete the assembly. In some case more fittings may be supplied than are required.





Ruler - To help correctly identify the fixings

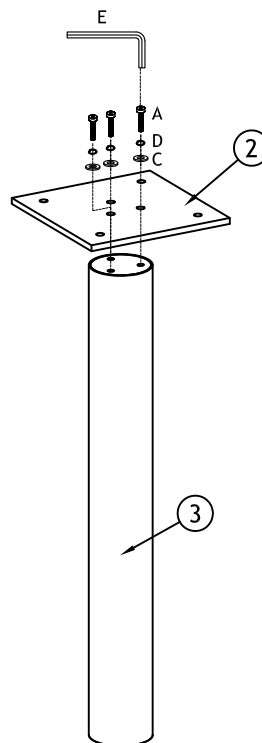


<p>A x 6</p>  <p>M8x40 mm</p>	<p>B x 4</p>  <p>M8x25 mm</p>	<p>C x 10</p>  <p>Ø8,5/Ø16 mm</p>	<p>D x 10</p>  <p>Ø8,5/Ø13 mm</p>
<p>E x 1</p>  <p>6 mm</p>			

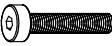



Assembly Instruction

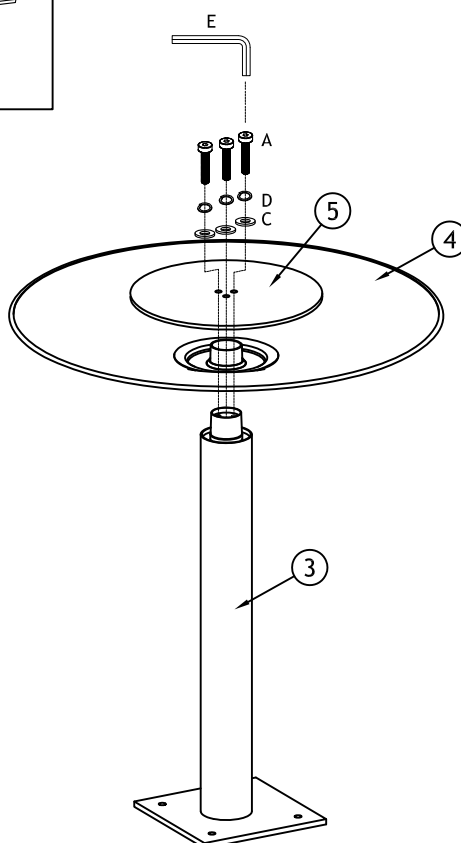
Step 1

A x 3	C x 3	D x 3	E x 1
			
M8x40 mm	Ø8,5/Ø16 mm	Ø8,5/Ø13 mm	6 mm



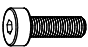



Step 2

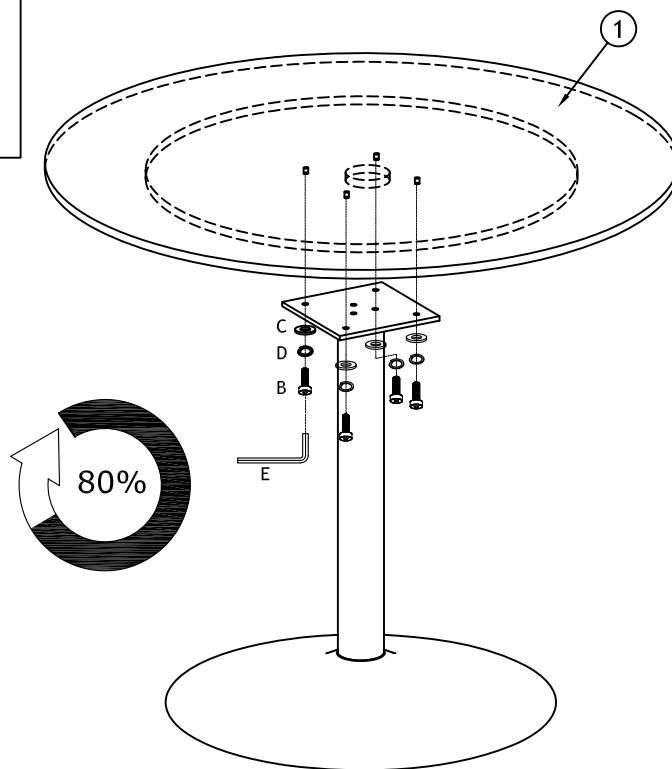
A x 3	C x 3	D x 3	E x 1
			
M8x40 mm	Ø8,5/Ø16 mm	Ø8,5/Ø13 mm	6 mm




Assembly Instruction

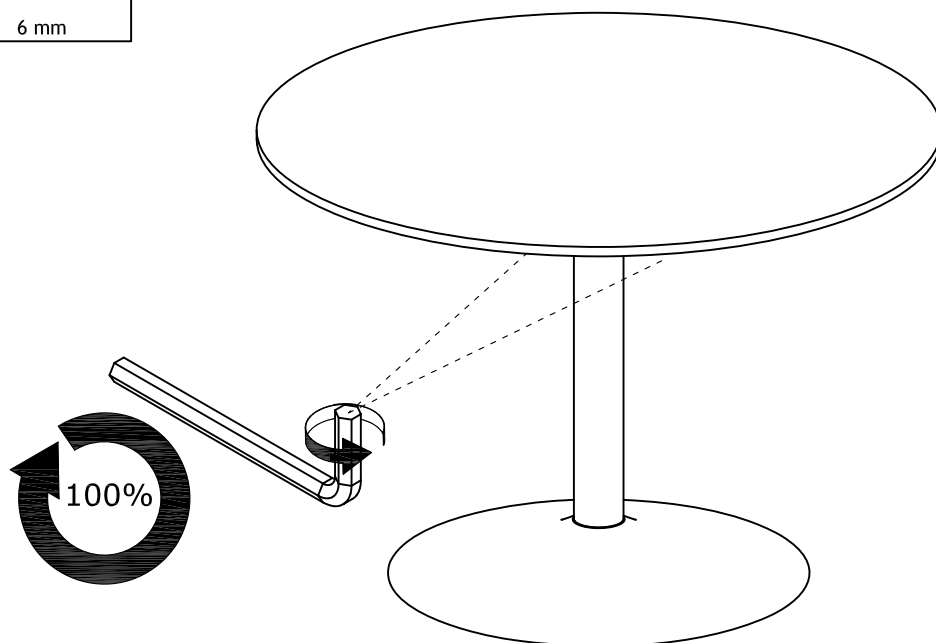
Step 3

B x 4  M8x25 mm	C x 4  Ø8,5/Ø16 mm	D x 4  Ø8,5/Ø13 mm	E x 1  6 mm
--	---	---	--



Step 4

E x 1  6 mm
--



Assembly Instruction

Step 5

