

Vince Sideboard 2 Door

Assembly Instructions - Please keep for future reference

VINC-2SB-SS14-A

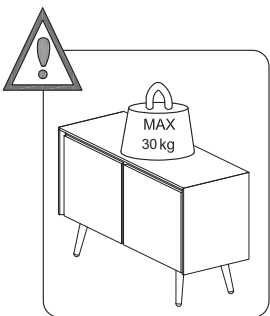
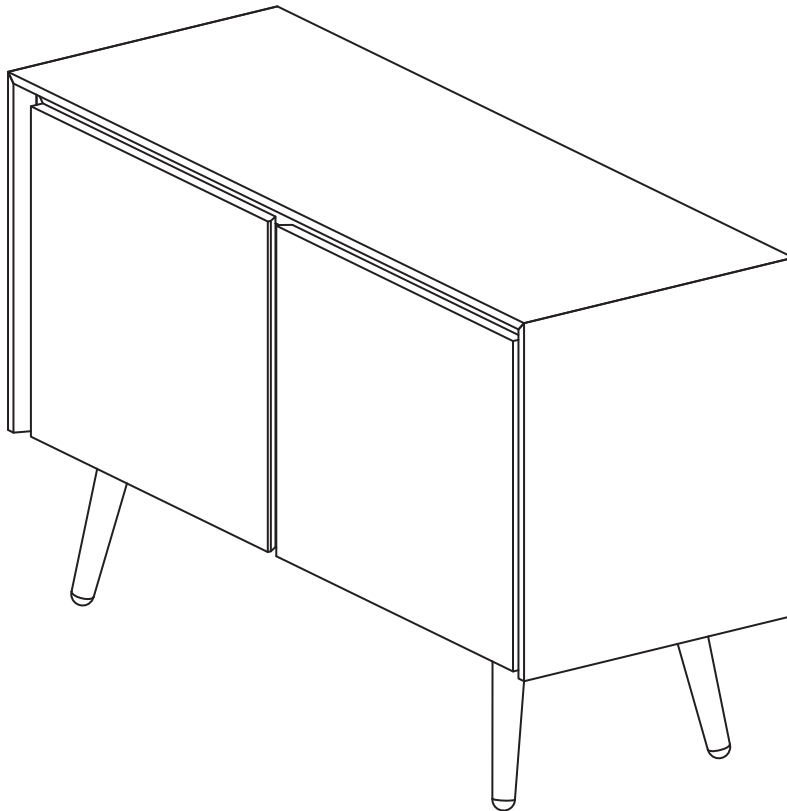
Dimensions

Width - 122cm

Depth - 45cm

Height - 75cm

Tools required



Important - Please read these instructions before assembly

If you need help or have damaged or missing parts, email:
customerservices@habitat.co.uk or call: 0344 499 4686

habitat 



Safety and Care Advice

Important – Please read these instructions fully before starting assembly

Check you have all the components and tools listed on the front cover and pages 2.

Remove all fittings from the plastic bags and separate them into their groups.

Keep children and animals away from the work area, small parts could choke if swallowed.

Make sure you have enough space to layout the parts before starting.

Do not stand or put weight on the product, this could cause damage.

Assemble the item as close to its final position (in the same room) as possible.

Do not place furniture directly in front of radiators, fires or any other source of heat.



Parts of the assembly will be easier with 2 people.

Assemble on a soft level surface to avoid damaging the unit or your floor.



We do not recommend the use of power drill/ drivers **for inserting screws**, as this could

damage the unit. Only use hand screwdrivers.

Dispose of all packaging carefully and responsibly.

General care and maintenance

The individual wood slats in your piece of furniture are specially selected and sorted by hand by skilled craftsmen. They follow specific guidelines securing the quality demands and design preferences that lay out the form of this furniture range.

Wood is a living material, affected by temperature and moisture for a long period after you start using it. Thereby, table tops and top plates will expand and shrink according to the seasons, and tiny cracks in the wood that may occur, are some of the joys of owning a natural product.

Your piece of furniture comes pre-oiled from the factory but should be re-oiled regularly to keep it in good order. Please see re-oiling instructions below. Legs for coffee and dining tables should be checked occasionally to ensure they are fully tightened in place. Avoid extreme humidity and heat. Do not place the item close to heat sources

Cleaning and care of oiled and lacquered surfaces

Clean the surface with a clean, wrung out cloth. Never use detergents

Coloured stains like red wine must be dried off immediately

Smaller stains and marks can be polished off the oil surfaces of your furniture (excluding any lacquered surfaces) with sand paper no 220 or 180

Re-oiling the oiled surfaces of your furniture (excludes lacquered surfaces)

To keep your furniture in good order we suggest re-oiling it every 3 to 6 months. Danish furniture oil can be bought at any good hardware store (such as Homebase).

Apply plenty of oil with a clean cloth. Table tops must be treated underneath as well as on the top side. (Be careful that the oil doesn't drip onto your floor!) After 15 minutes, polish with a sandpaper sponge or fine sandpaper (no. 150) along the grains of the wood

Polish off remaining oil with a clean, dry cloth
Do not use the item, until the oil is completely absorbed

General information

If for any reason you should have problems with your Habitat product, please contact the store from which you purchased it.

Please retain your receipt as proof of purchase.

If you have any comments or suggestions regarding this product, assembly instructions or service

received, please contact the store or Habitat Head Office via its web site: www.habitat.co.uk

or write directly to: Habitat Retail Ltd.
489-499 Avebury Boulevard,
Milton Keynes MK9 2NW

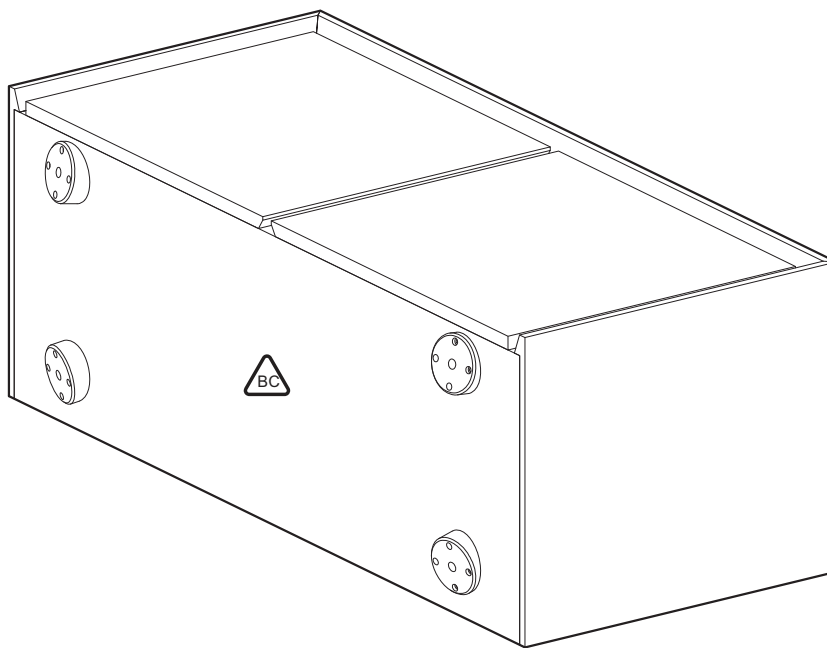
Components - Panels

If you need help or have damaged or missing parts, email: customerservices@habitat.co.uk or call: 0344 499 4686

Please check you have all the panels listed below

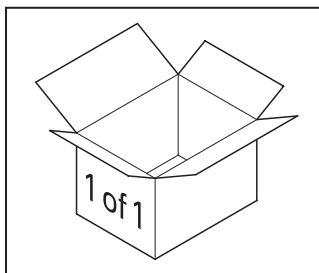
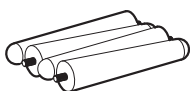


Note: There are 'Batch Code' labels where shown on the indicated items, these should be retained.



1.Cabinet

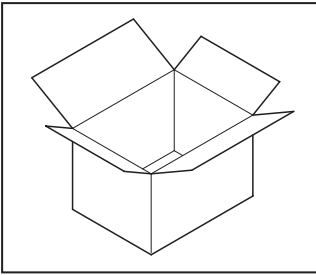
2.Leg
x 4



Components - Fittings

If you need help or have damaged or missing parts, email: customerservices@habitat.co.uk or call: 0344 499 4686

Please check you have all the fixing listed below

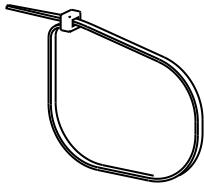


Note: The quantities below are the correct amount to complete the assembly. In some case more fitting maybe supplied than are required.

Ruler - To help correctly identify the fixings

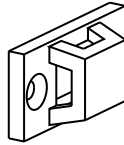


A



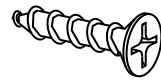
Nylon strap x 2

B



Wall brackets x 4

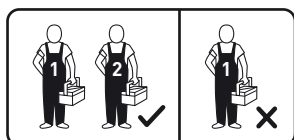
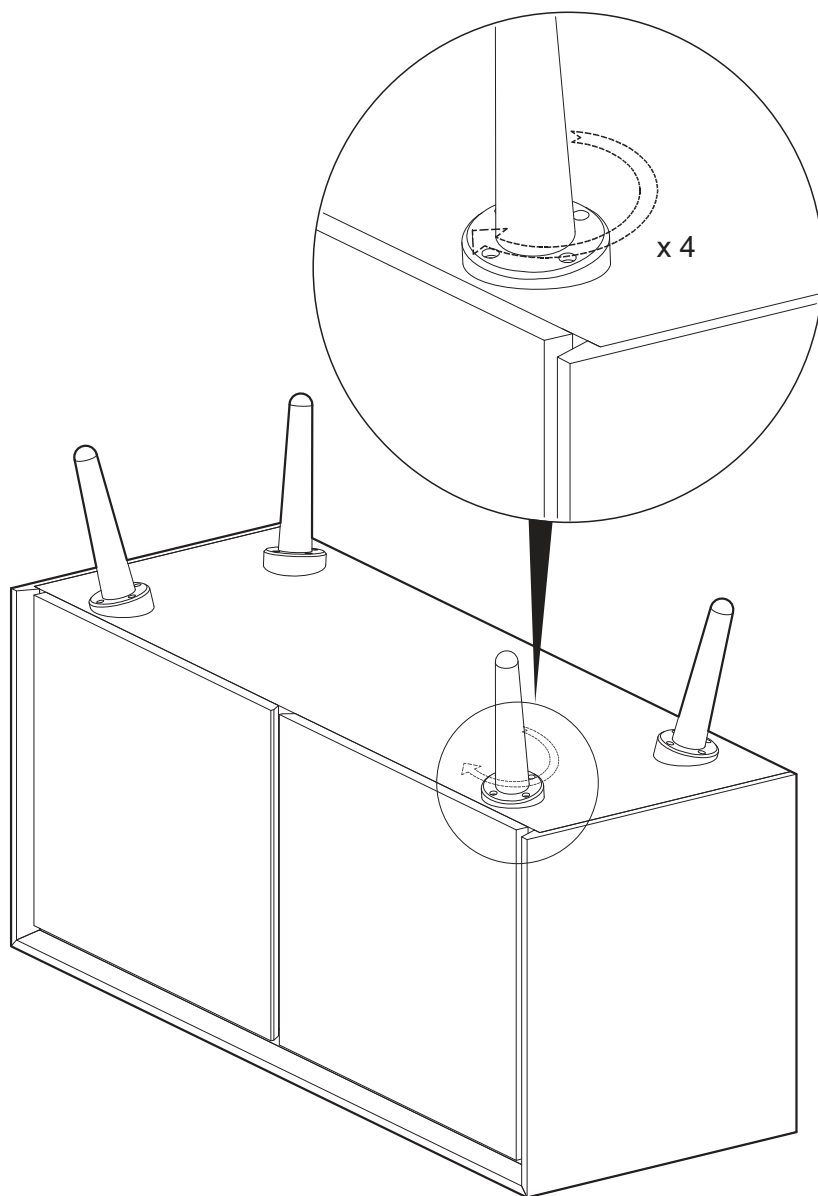
C



20mm Screws x 4

Assembly Instructions

Step 1



Please Take Care When Turning Upright.

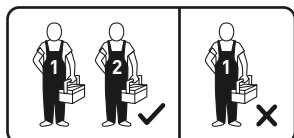
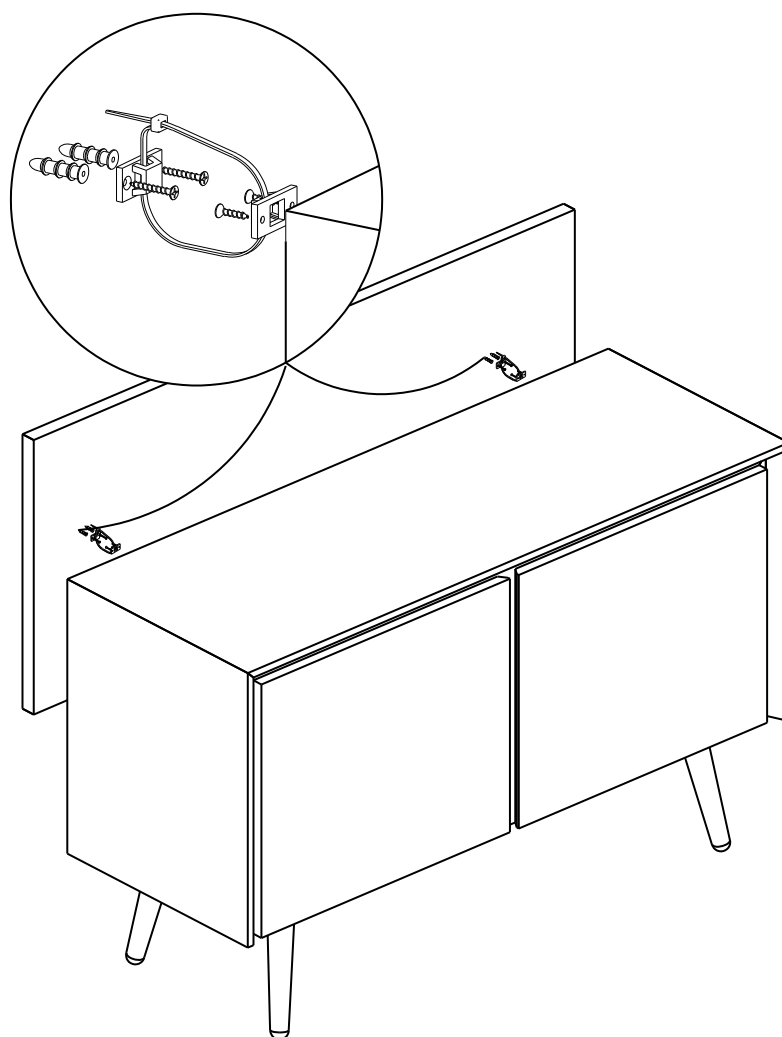
Assembly Instructions

Step 2

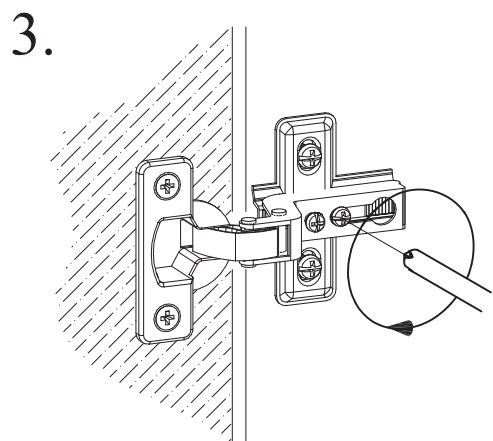
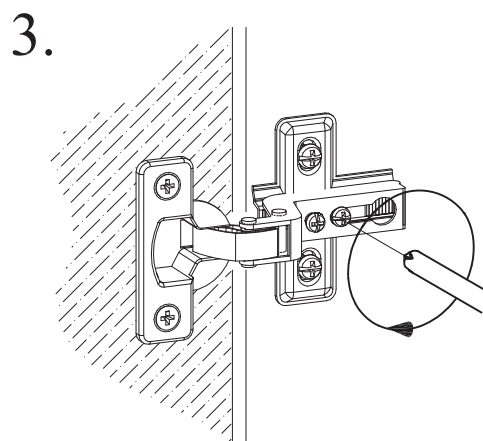
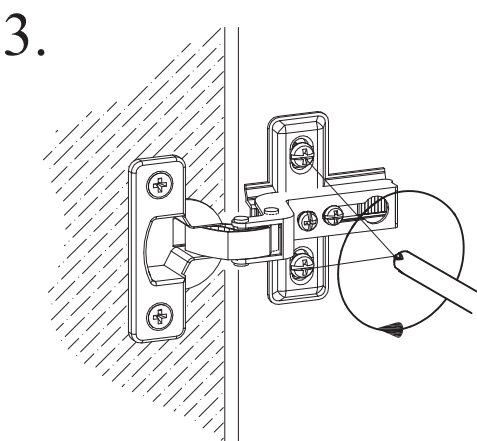
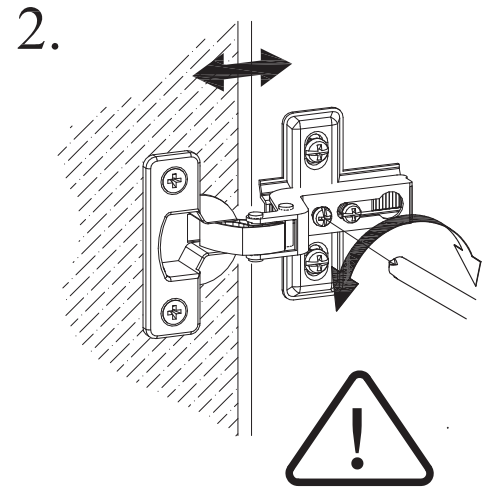
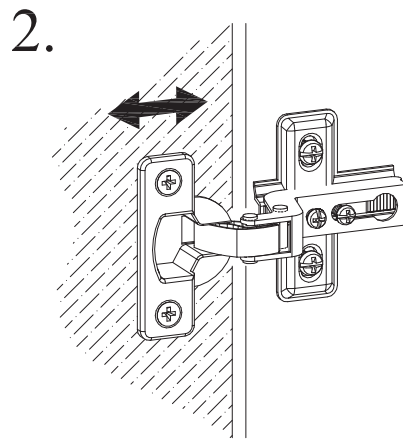
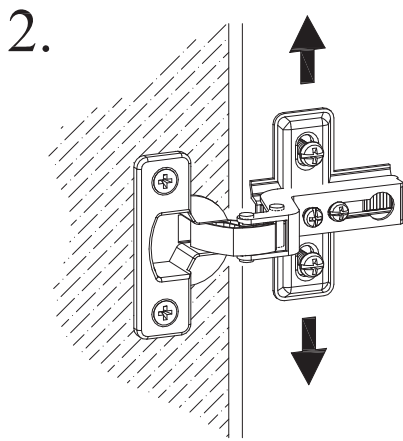
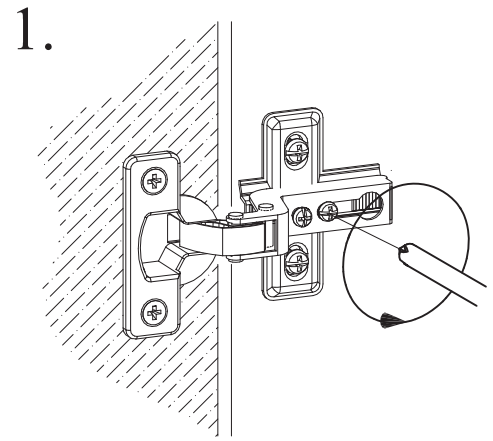
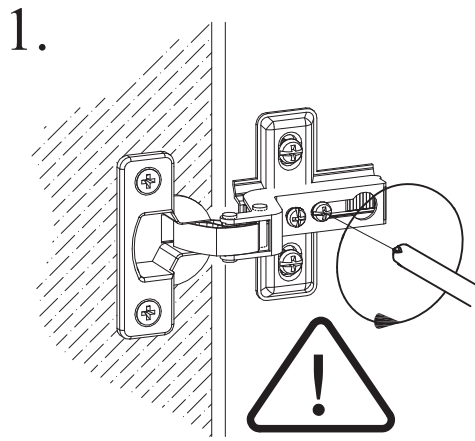
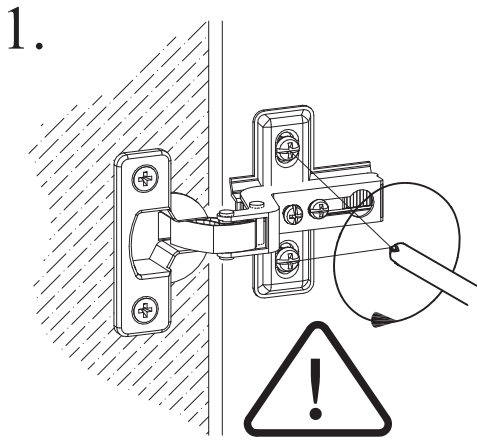
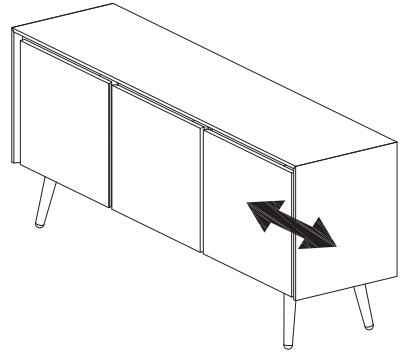
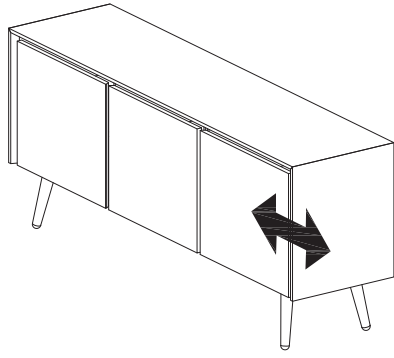
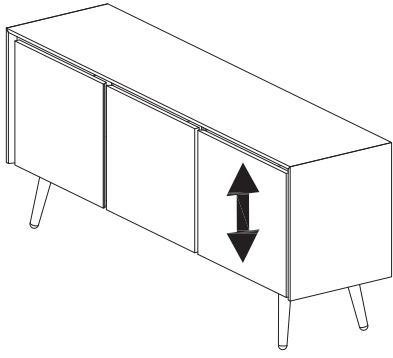
IMPORTANT!

For your safety this product must be secured to a wall using the provided anti-topple wall straps. Please use the correct type of fixings for attaching the wall strap to your wall. Sorry we could not provide these fixings due to the variety of different types of wall you might have.

Please refer to the Wall Mounting and Fixings on the last page of this instruction for more information.



Anti-Tip Restraint Assembly is **REQUIRED** in order to complete construction of this product. When properly installed, this hardware can provide protection against the unexpected tipping of furniture



A Guide to - Wall Mounting & Fixings

Important note:

Wall Fixings:



- because of the variety of different wall types, Habitat cannot provide you with the exact fixings you will need to fix this product to the wall.


You must first identify the type of wall you intend to fix product onto and then contact your local hardware store to get the appropriate fixings.



Important: When drilling into walls always check that there are no hidden wires or pipes etc.

Make sure that the screws and wall plugs being used are suitable for supporting your unit. Consult a qualified tradesperson if you are unsure.

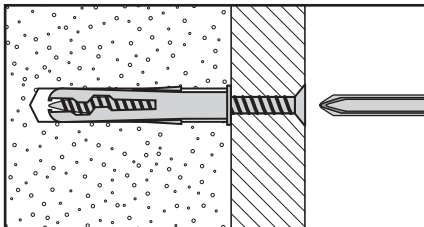
Hints:

- 1: General rule:**  Always use a larger screw and wall plug if you are not sure.
- 2:** Ensure you use the recommended drill bit to match the wall plug and hole size.
- 3:** Ensure you drill the hole horizontally, do not force the drill or enlarge the hole.
- 4:** Take extra care when drilling high walls, ceilings and ceramic tiles. Ensure wall plugs are inserted beyond the thickness of the ceramic tiles to avoid the tiles splitting or cracking.
- 5:** Ensure wall plugs are well fitted and are a tight fit in the drilled hole.

Types of walls

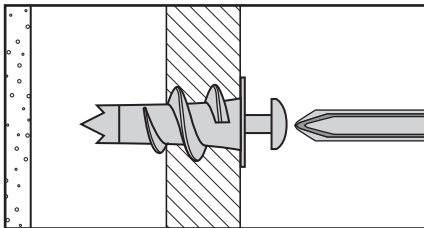
You can use one of the following types of wall plug if your walls are made of brick, breeze block, concrete, stone or wood.

No.1 "General Purpose" wall plug



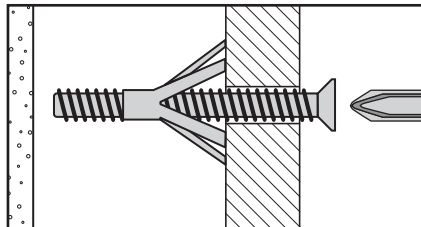
Generally aerated blocks should not be used to support heavy loads, use a specialist fitting in this case. For light loads, general purpose wall plugs can be used.

No.2 "Plasterboard" wall plug



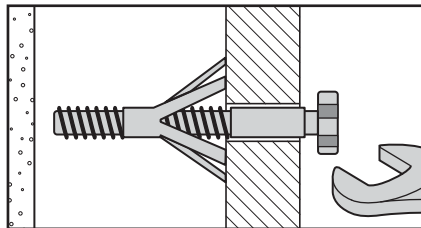
For use when attaching light loads on to plasterboard partitions.

No.3 "Cavity Fixing" wall plug



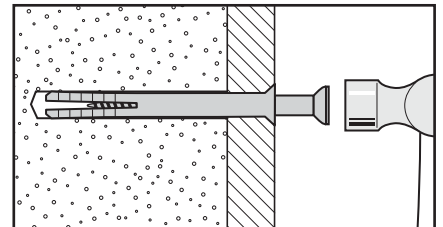
For use with plasterboard partitions or hollow wooden doors.

No.4 "Cavity Fixing-Heavy Duty" wall plug



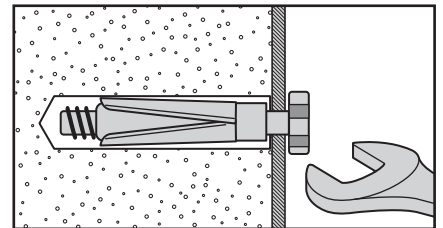
For use when fitting or supporting heavy loads such as shelving, wall cabinets and coat racks.

No.5 "Hammer Fixing" wall plug



For use with walls stuck with plasterboard. The hammer fixing allows it to be fixed to the wall rather than the plasterboard. Always check the fixing is secure to the retaining wall.

No.6 "Shield Anchor" wall plug Heavy loads



For use with heavier loads such as TV & HiFi speakers and satellite dishes etc.



Care & Maintenance

Safety: Always check the fitting and location to ensure your safety in and around the home.

Fitting: From time to time check the fitting to ensure the wall plugs or screws do not become loose.