

HANA BED 1400,1600

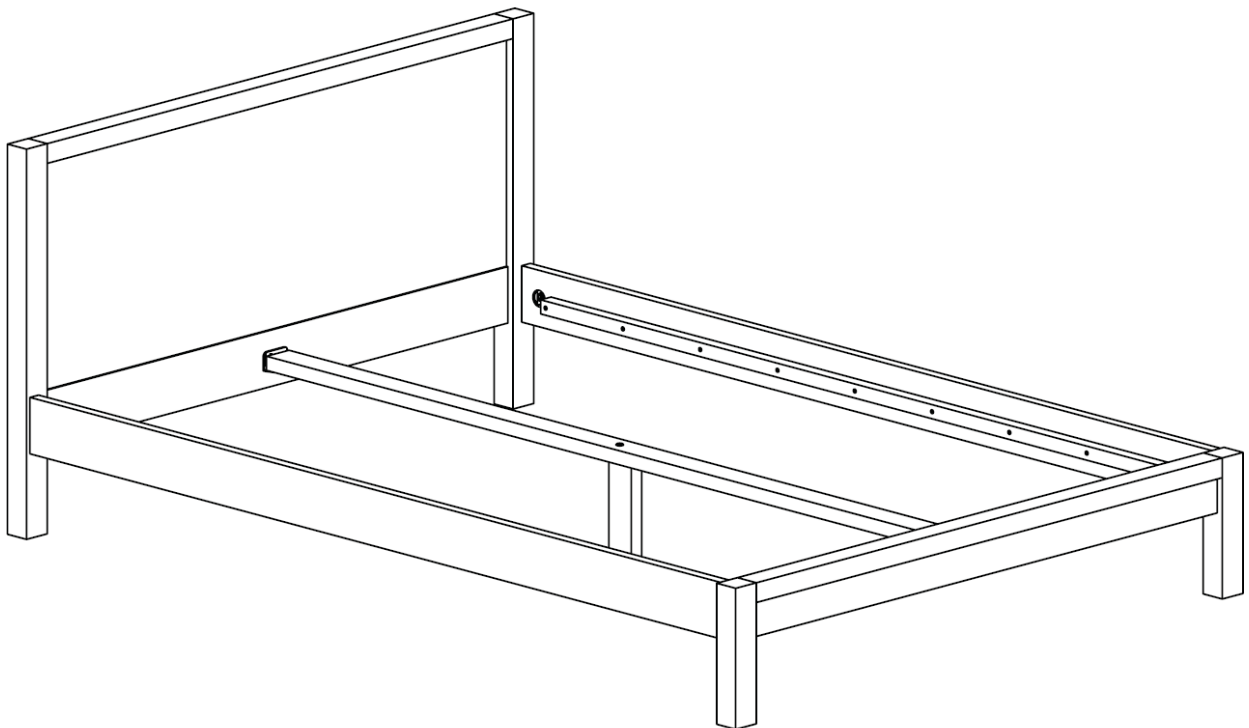
Assembly Instructions - Please keep for future reference

HANA-BDFL-AW14-A

Dimensions

Width - 147,167cm
Depth - 211cm
Height - 83 cm

Tools required



Important – Please read these instructions before assembly

If you need help or have damaged or missing parts, email:
customerservices@habitat.co.uk or call: 0844 499 4686

habitat 



Safety and Care Advice

Important – Please read these instructions fully before starting assembly

Check you have all the components and tools listed on the front cover and pages **3 - 4**

Remove all fittings from the plastic bags and separate them into their groups.

Keep children and animals away from the work area, small parts could choke if swallowed.

Make sure you have enough space to layout the parts before starting.

Do not stand or put weight on the product, this could cause damage.

Assemble the item as close to its final position (in the same room) as possible.

Do not place furniture directly in front of radiators, fires or any other source of heat.



Parts of the assembly will be easier with 2 people.

Assemble on a soft level surface to avoid damaging the unit or your floor.



We do not recommend the use of power drill/ drivers **for inserting screws**, as this could

damage the unit. Only use hand screwdrivers.

Dispose of all packaging carefully and responsibly.

General care and maintenance

Only clean using a damp cloth and mild detergent, do not use bleach or abrasive cleaners.

From time to time check that there are no loose screws on this unit.

This product should not be discarded with household waste. Take to your local authority waste disposal centre.

Cleaning and care of solid wood surfaces

Dust regularly with a clean dry cloth.

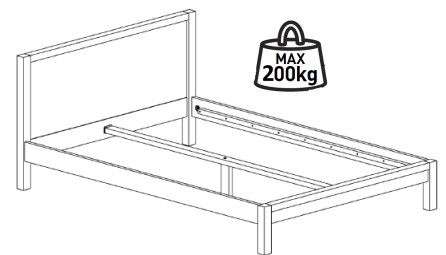
Wipe up any spills immediately with a damp cloth and then dry the surface with a clean dry duster.

Repeat this procedure for periodic cleaning

The use of furniture polish or spray is not necessary or recommended.

Periodically re-oil with Danish Furniture Oil. Ensure the oil is dry before using bed to ensure bedding does not get marked.

Important: Recommended maximum load for bed is shown below.



General information

If for any reason you should have problems with your Habitat product, please contact the store from which you purchased it.

Please retain your receipt as proof of purchase.

If you have any comments or suggestions regarding this product, assembly instructions or service

received, please contact the store or Habitat Head Office via its web site: www.habitat.co.uk or write directly to: Habitat Retail Ltd. 489-499 Avebury Boulevard, Milton Keynes MK9 2NW

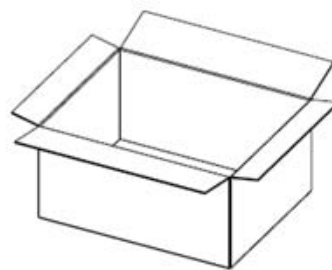
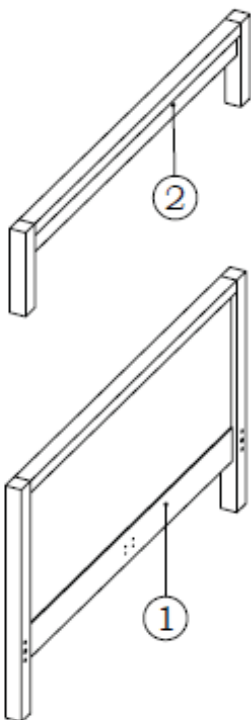
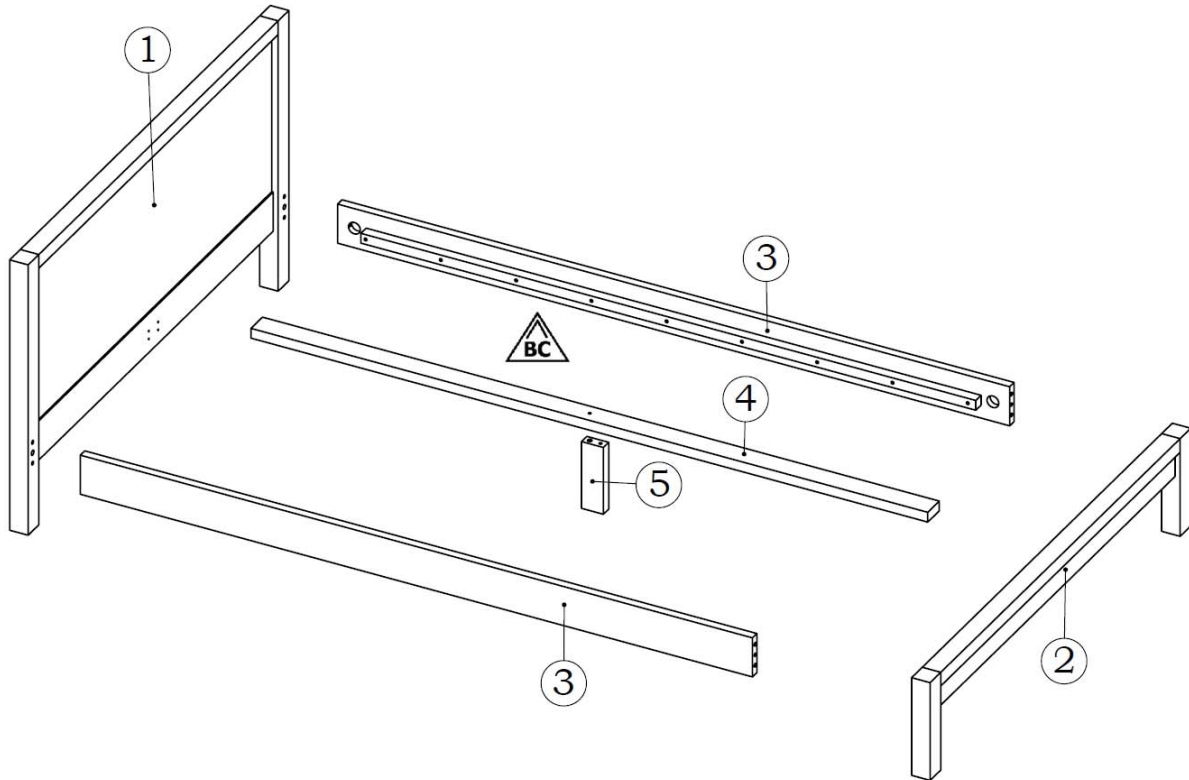
Components - Panels

If you need help or have damaged or missing parts, email: customerservices@habitat.co.uk or call: 0844 499 4686

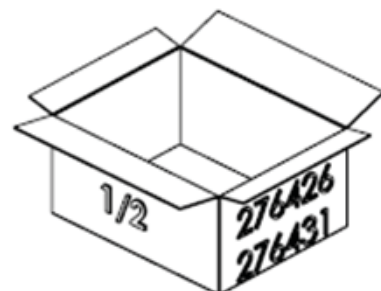
Please check you have all the panels listed below



Note: There are 'Batch Code' labels where shown on the indicated items, these should be retained.



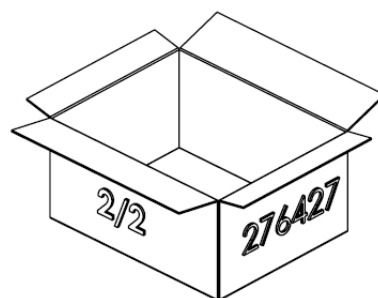
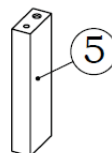
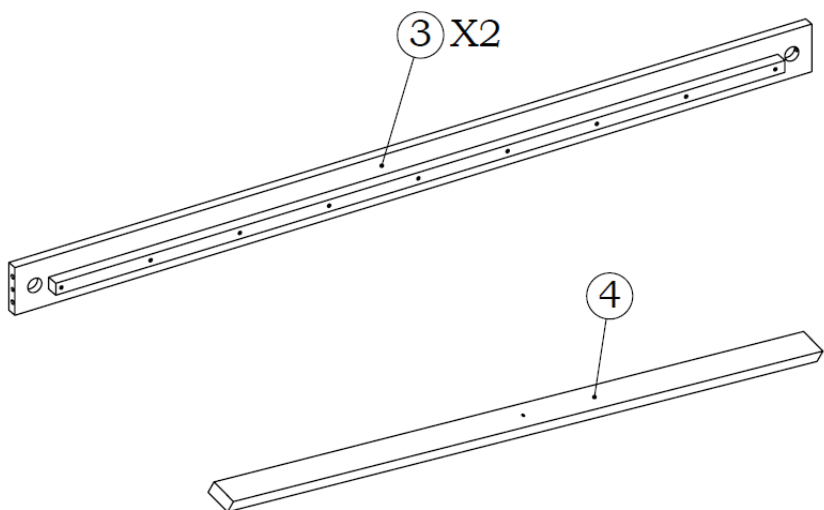
2. Fittings pack included in pack 1.2



Components - Panels

If you need help or have damaged or missing parts, email: customerservices@habitat.co.uk or call: 0844 499 4686

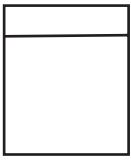
Please check you have all the panels listed below



Components - Fittings

If you need help or have damaged or missing parts, email: customerservices@habitat.co.uk or call: 0844 499 4686

Please check you have all the fixings listed below



2. Fittings bag
Fittings pack included
in pack 1/2

Note: The quantities below are the correct amount to complete the assembly. In some cases more fittings may be supplied than are required.

Ruler - To help correctly identify the fixings



(A) X8



(F) X4



(B) X4



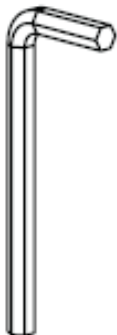
(G) X4



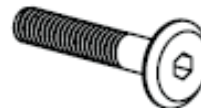
(C) X4



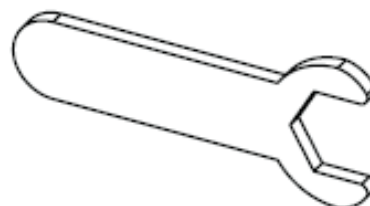
(H) X1



(E) X1



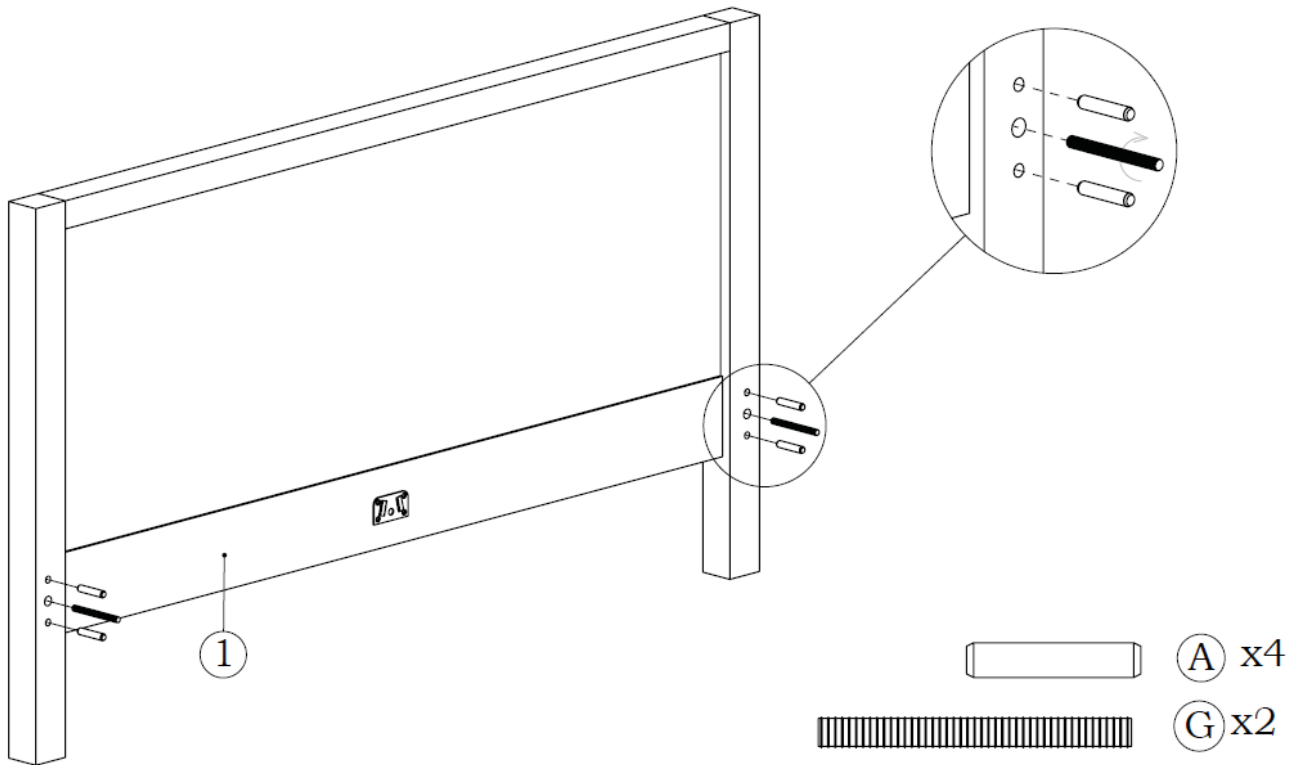
(K) X1



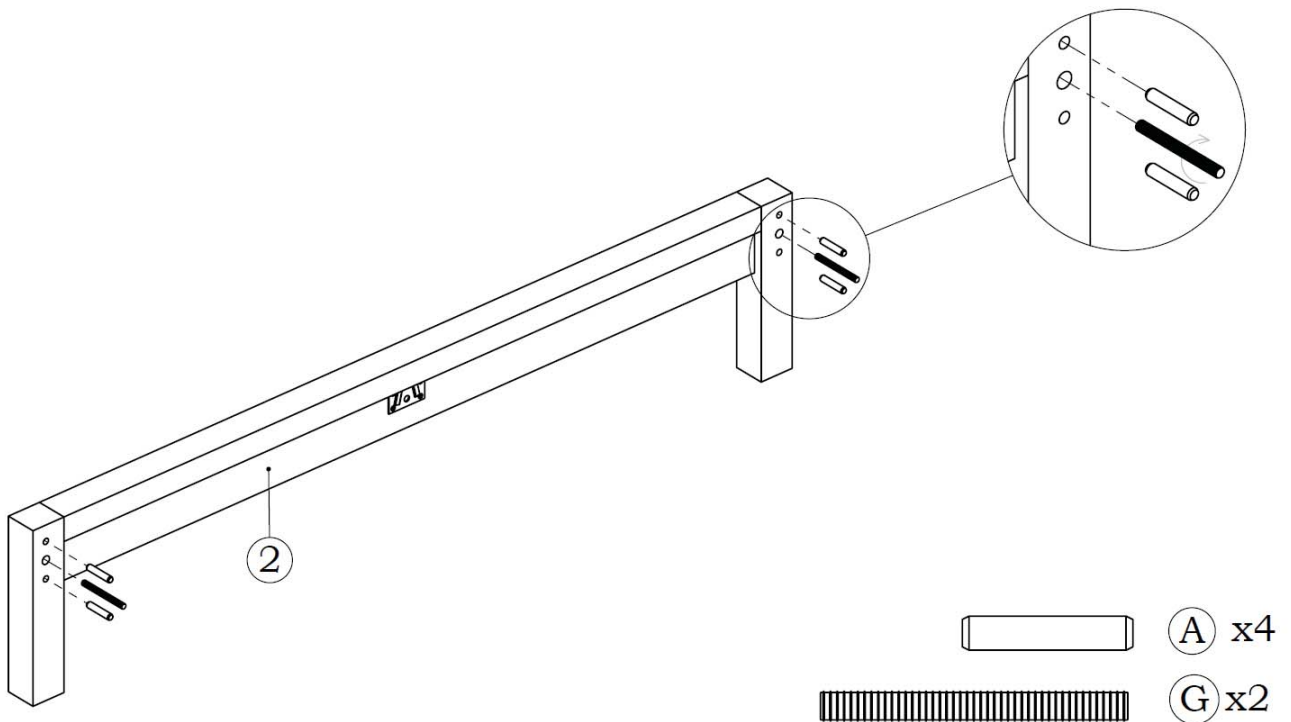
(D) X1

Assembly Instructions

Step 1

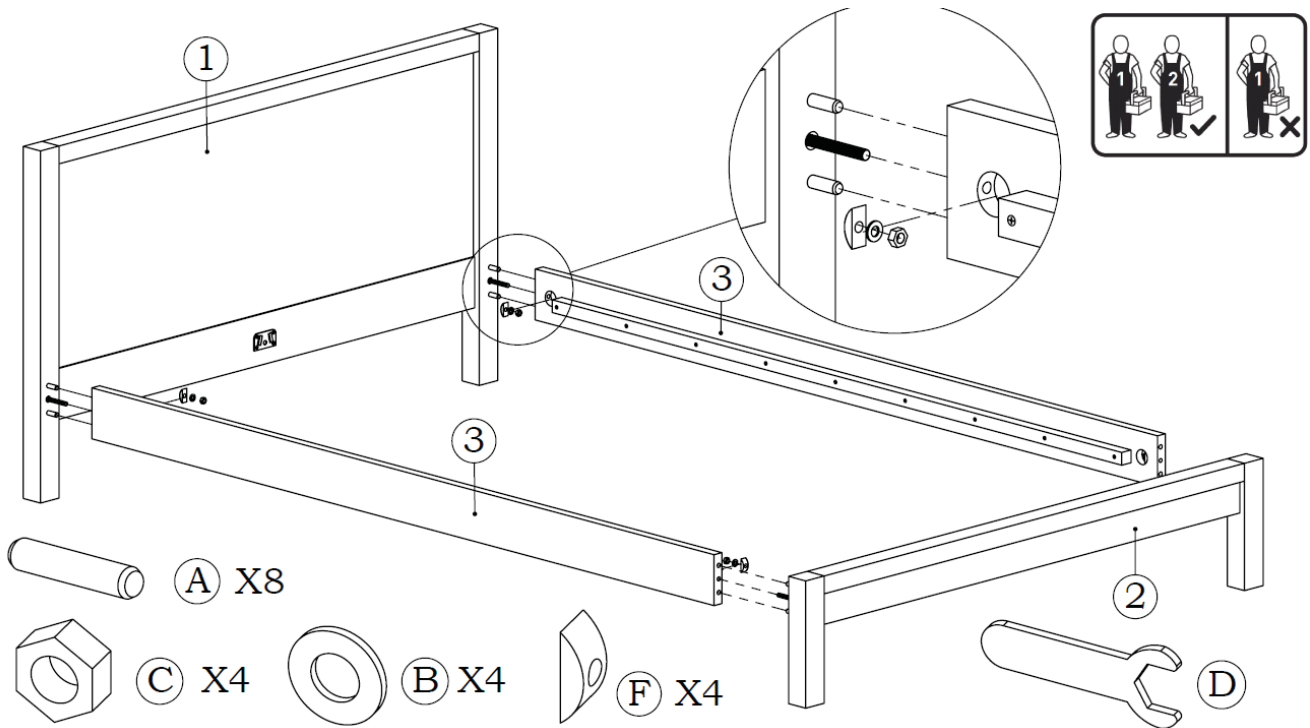


Step 2

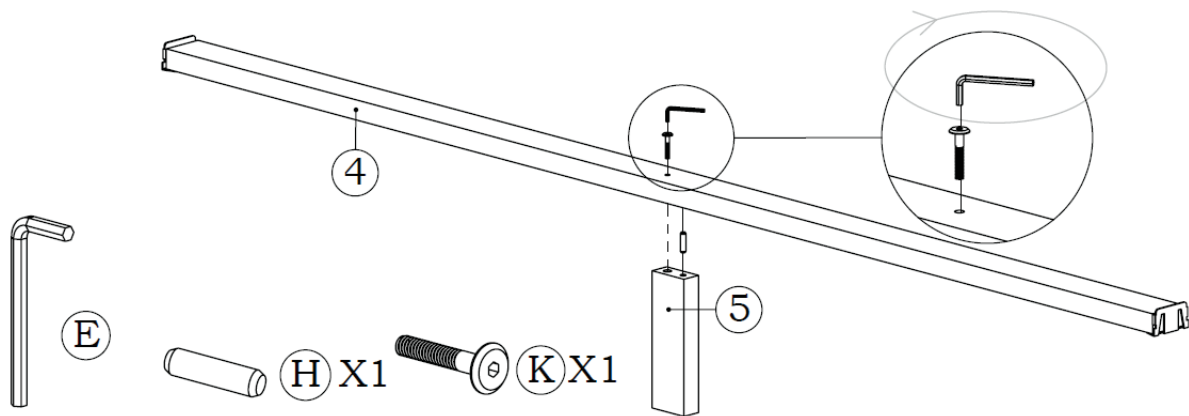


Assembly Instructions

Step 3



Step 4



Step 5

